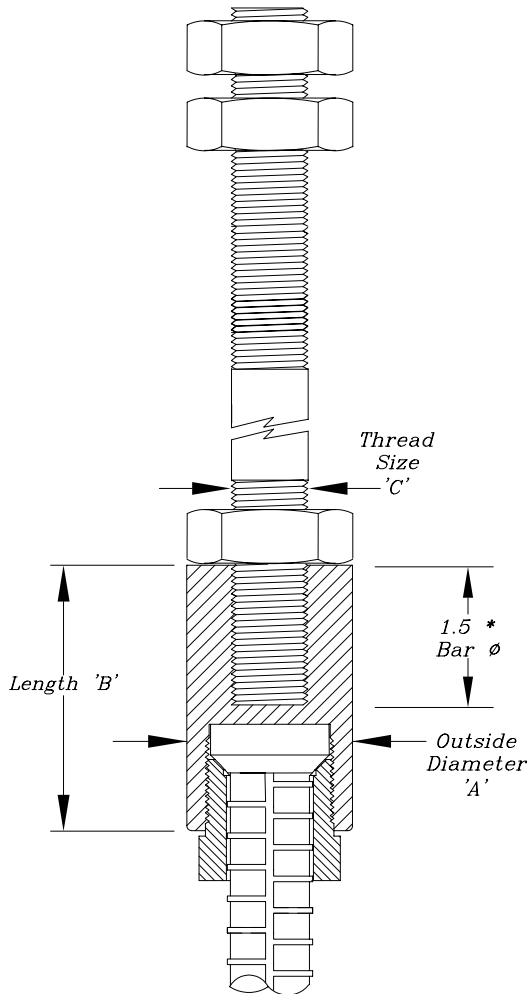


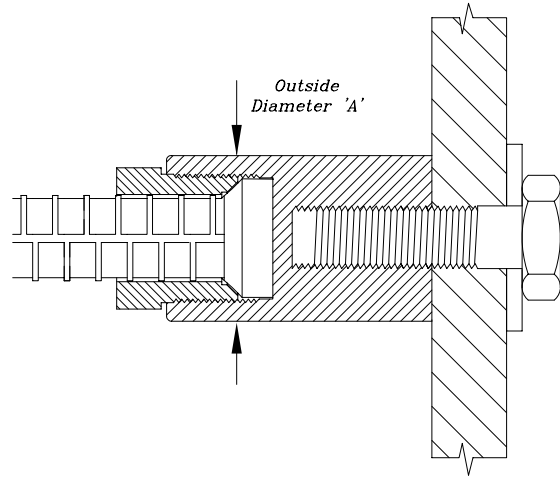
XTENDER 530 Threaded and Welded Structural Connectors

- HRC 531 Transition coupler to standard coarse threaded bolt.
- HRC 532 Transition coupler to metric coarse threaded bolt.
- HRC 533 Transition coupler to high strength A 325 or A 490 bolts.
- HRC 535 Transition coupler to welded structural connector.

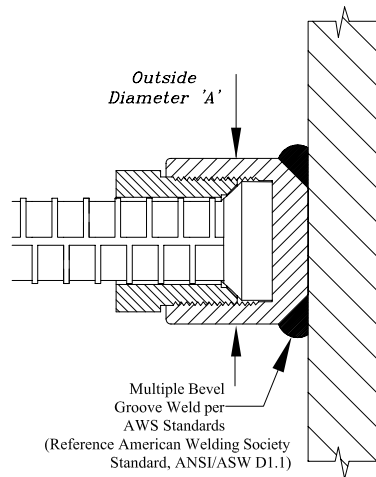
HRC 531/532
Transition to anchor bolts



HRC 532/533
Bolted structural connector



HRC 535
Welded structural connector



530 Dimension	#5 in.	(#16) (mm)	#6 in.	(#19) (mm)	#7 in.	(#22) (mm)	#8 in.	(#25) (mm)	#9 in.	(#29) (mm)	#10 in.	(#32) (mm)	#11 in.	(#36) (mm)	#14 in.	(#43) (mm)
A. Coupler OD	1 1/2		1 5/8		1 7/8		2 1/8		2 3/8		2 5/8		2 7/8		3 1/2	
B. Coupler length	2 1/4		2 1/2		2 3/4		3		3 1/4		3 5/8		3 5/8		4	
HRC531 A307 bolt	7/8 - 10		1 - 8		1 1/4 - 7		1 3/8 - 6		1 1/2 - 6		1 3/4 - 5		2 - 4.5		2 1/4 - 4.5	
HRC532 Metric	M 18 x 2.5		M 24 x 3		M 27 x 3		M 30 x 3.5		M 33 x 3.5		M 36 x 4		M 42 x 4.5		M 52 x 5	
HRC533 A325/490	5/8 - 11		3/4 - 10		7/8 - 9		1 - 8		1 1/8 - 7		1 1/4 - 7		1 3/8 - 6		1 1/2 - 8	
*Min. Torque (lb-ft)	100		150		150		150		250		250		250		250	

* Hand tightening is sufficient for couplers to reach full tensile strength. Min. Torque values given to insure a tight connection.

December/2013

All data subject to change without notice.



HEADED REINFORCEMENT CORP.
11200 Condor Avenue • Fountain Valley, CA 92708
Tel: (714) 557-1455 • Fax: (714) 557-4460