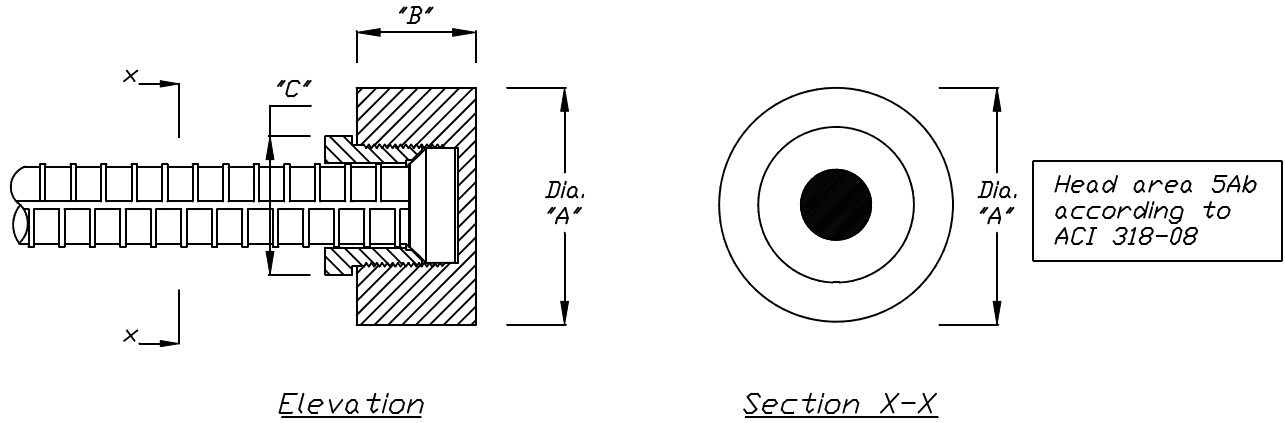


XTENDER HRC 550 Anchor Heads



HRC 551 Round Anchor Coupler

550 Dimensions	#4 in.	#5 mm	#13 in.	#16 mm	#6 in.	#19 mm	#7 in.	#22 mm	#8 in.	#25 mm	#9 in.	#29 mm	#10 in.	#32 mm	#11 in.	#36 mm	#14 in.	#43 mm
A. Coupler OD	1 1/2	38	1 7/8	60	2	51	2 1/4	57	2 3/4	70	3	76	3 1/4	83	4	102		
B. Coupler Depth	7/8	22	1 1/8	29	1 1/4	32	1 1/2	38	1 3/4	44	1 7/8	48	2	51	2 1/4	57		
C. Male OD	1.4/1.5	35/38	1.63	41	1.88	48	2.13	54	2.21	56	2.50	64	2.50	64	2.72	69		

Torque: Hand tighten to snug fit. Lubricate threads and use pipe wrench if necessary.

24/Mar/2020

All data subject to change without notice.

I:/DRAWINGS/01/HRC STANDARDS/XTENDER 550.DWG - March, 2020



HEADED REINFORCEMENT CORP.
 11200 Condor Avenue • Fountain Valley, CA 92708
 Tel: (714) 557-1455 • Fax: (714) 557-4460